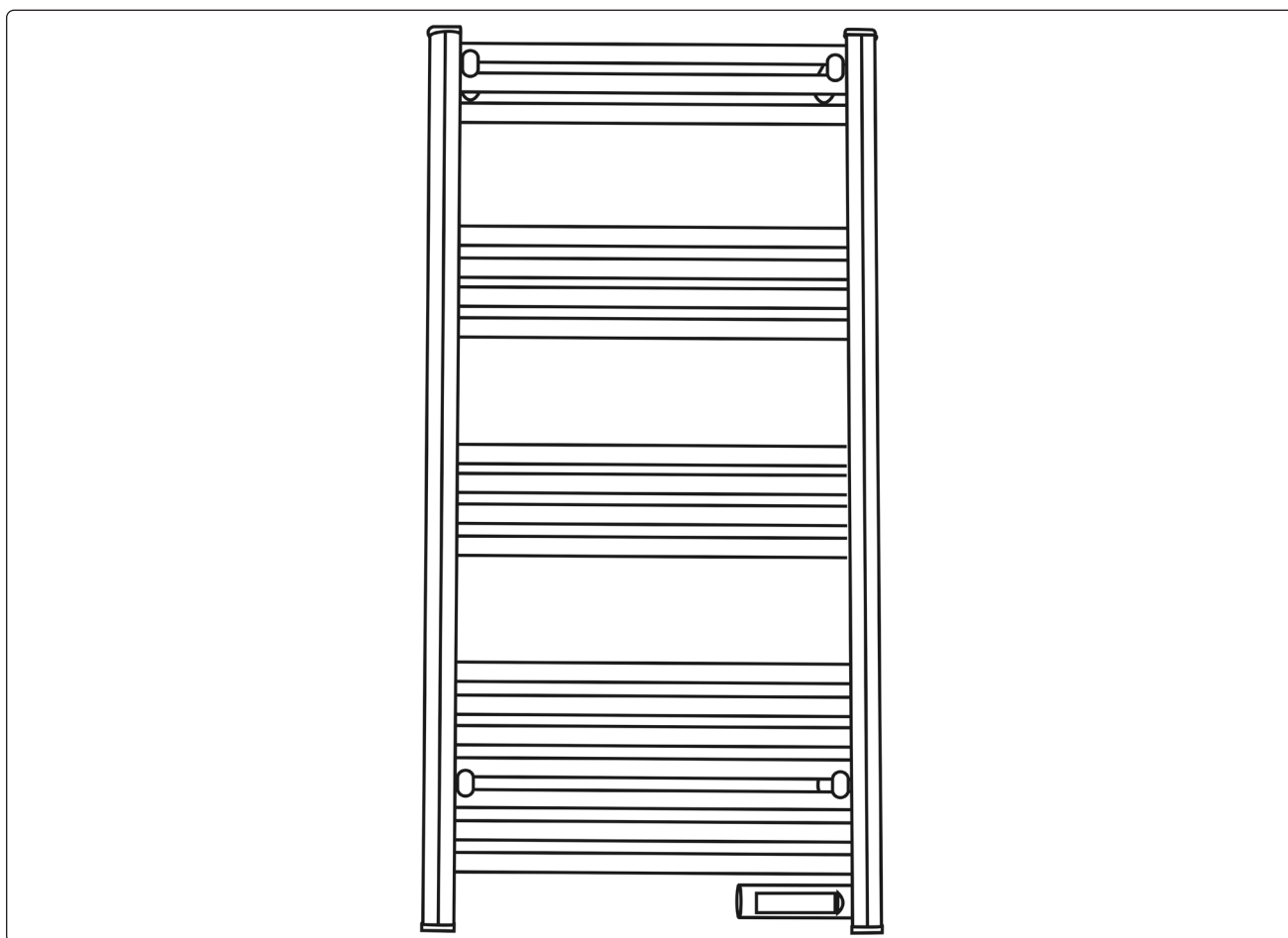


# baridi

---

## Electric Heated Towel Rail 1085 x 535mm with LED Display, Towel Warming Mode, Bathroom



**Model No.s: DH371 & DH372**

Thank you for purchasing a Dellonda product. Manufactured to a high standard, this product will, if used according to these instructions, and properly maintained, give you years of trouble free performance.

## Important Information

Please read these instructions carefully. Note the safe operational requirements, warnings & cautions. Use the product correctly and with care for the purpose for which it is intended. Failure to do so may cause damage and/or personal injury and will invalidate the warranty. Keep these instructions safe for future use.



Refer to instruction manual



Warning:  
Hot Surface



Warning:  
Indoor use only

## Specification

Attribute	DH371	DH372
Colour	Black	Silver
Nett Weight:	2.9kg	2.9kg
Plug Type:	Bare Wire	Bare Wire
Power Supply Cable Length:	1.85m	1.85m
Power:	425W	425W
Size (W x D x H):	1085 x 535 x 35mm	1085 x 535 x 35mm
Supply:	230V - 50HZ	230V - 50HZ
Timer:	24hr	24hr

## Safety Instructions

- WARNING!** The warnings, cautions and instructions in this manual cannot cover all possible conditions and situations that may occur. It must be understood by the operator that common sense and caution are factors which cannot be built into this product, but must be applied by the operator.
  - WARNING!** It is the user's responsibility to check the following:
    - ✓ Check all electrical equipment and appliances to ensure that they are safe before using. Inspect power supply leads, plugs and all electrical connections for wear and damage. Dellonda recommend that an RCD (Residual Current Device) is used with all electrical products. You may obtain an RCD by contacting your local Dellonda stockist.
- If the heated towel rail is used in the course of business duties, it must be maintained in a safe condition and routinely PAT (Portable Appliance Test) tested.

### ELECTRICAL SAFETY

- Dellonda recommend that installation and repairs are carried out by a suitably qualified electrician.
- **WARNING!** It is the user's responsibility to check the following:
  - Check all electrical equipment and appliances to ensure that they are safe before using.
  - Inspect power supply leads, plugs and all electrical connections for wear and damage.
  - Ensure that the insulation on all cables and on the appliance is safe before connecting it to the power supply.
  - **DO NOT** use worn or damaged cables, plugs or connectors.
  - Ensure that any faulty item is repaired or replaced immediately by a Dellonda qualified technician.
  - If the cable or plug is damaged during use, switch off the electricity supply and remove from use.
  - Dellonda recommend that an RCD (Residual Current Device) is used with all electrical products.

**Important:** Ensure that the voltage rating on the appliance corresponds with the power supply to be used and that the appliance is connected in accordance with the applicable wiring regulations.

- **DO NOT** pull or carry the appliance by the power cable.
- **DO NOT** pull the plug from the socket by the cable (if applicable).
- **WARNING!** A means of disconnection shall be incorporated in the fixed wiring in accordance with the applicable wiring rules.
- **WARNING!** If the supply cord is damaged, it must be replaced by the manufacturer, its service agent or similarly qualified persons in order to avoid a hazard.

### 1.1. GENERAL SAFETY

- WARNING!** The appliance shall be disconnected from its power source during service and when replacing parts.
- ✗ **DO NOT** plug in before making sure the voltage on the rating plate and that of your household are the same.
- WARNING!** In order to avoid a hazard for very young children, this appliance should be installed so that the lowest heated rail is at least 600mm above the floor.
- WARNING!** This appliance is intended only for drying textiles washed in water. Disconnect the heated towel rail from the power supply before handling or cleaning.
- ✓ Maintain the heated towel rail in good order and clean condition for best and safest performance.
- ✓ Replace or repair damaged parts. Use genuine parts only. Unauthorised parts may be dangerous and will invalidate the warranty.
- ✗ **DO NOT** use the heated towel rail for any purpose other than for which it is designed.
- ✗ **DO NOT** use the heated towel rail outdoors. This heated towel rail is designed for indoor use only.
- ✓ Children from age 8 years and above, persons with reduced physical, sensory, or mental capabilities those with lack of experience and knowledge can use the appliance, if they have been given supervision or instruction concerning use of the appliance in a safe way to understand the hazards involved.
- ✓ Children shall NOT play with the appliance.
- ✓ Cleaning and user maintenance on the appliance shall not be made by children without supervision.
- ✓ Keep plastic bags and other packaging materials out of the reach of children. They may be potentially dangerous.

- ✗ **DO NOT** place the appliance close to showers, bathtub, pools, etc.
  - ✗ **DO NOT** submerge the appliance in water or any other liquids.
  - ✓ Use it always with the elements in the upright position.
  - ✓ The external parts of the appliance get hot during its use; avoid touching them until the appliance gets cold.
  - ✗ **DO NOT** place the appliance under an electrical socket.
  - ✗ **DO NOT** place the appliance near inflammable objects or products.
  - ✓ When you use it for the first time, leave the heated towel rail on for 2 or 3 hours in the maximum temperature position in a ventilated place, in order to disperse the initial "new" smell.
  - ✓ The installation of this appliance on the bathroom wall must always be done at a distance where no person in the shower or bath can touch it or switch it on.
  - ✓ It is normal to hear some noises caused by the oil heating up or when cooling.
  - ✓ If the cable deteriorates, it must be replaced by an Authorised Dellonda Service Centre.
- MISUSE AND SAFETY WARNING**
- ✓ This appliance is intended solely for drying and warming towels. Any misuse, such as covering the appliance completely, hanging heavy or wet items other than towels, using the appliance outdoors, or operating it in reach of a bath or shower, may cause overheating, damage, or risk of electric shock. Such misuse may impair the safe operation of the appliance and could result in injury or property damage. Always use the appliance only as described in these instructions.

## CONTENTS

Heated Towel Rail	1
Fixings	1

## SAFETY INSTRUCTIONS UPON OPENING THE BOX

- ✓ Handle all parts carefully.
  - ✓ Check for damage before use.
  - ✗ **DO NOT** use if any part is damaged or missing.
  - ✓ Keep packaging away from children.
- Before installation, please ensure that the following requirements are met (see fig. 1):
    1. The control panel must be in the bottom position during installation.
    2. The distance between the bathtub and the appliance must be at least 60 cm.
    3. The distance between the top of the appliance and the ceiling must be at least 15 cm.
    4. The distance between the floor and the appliance must be at least 15 cm.

## INSTALLATION

1. Drill four Ø8 mm holes according to the dimensions shown in fig. 2.
  2. Insert four wall plugs into the holes, then fix the four outer fixtures to the wall using **ST4×40** screws. See fig. 3.
  3. Fix the four inner fixtures and four front fixtures to the appliance using four **ST3.5×20** screws. See fig. 4.
  4. Attach the inner fixtures of the appliance to the outer fixtures on the wall. Adjust the distance between the appliance and the wall, then secure them using **M5×14** screws. See fig. 3.
  5. Cover the four caps on the front fixtures. See fig. 4.
- NOTE:** The method of fixing is not to depend on the use of adhesives.

## HOW TO OPERATE THE APPLIANCE:

1. **Continuous Heating Mode:**  
When you press the power button, the appliance operates in Continuous Heating Mode and will continue heating until you turn it off.
2. **Towel Warming Mode:**  
Press the Power Button, then press the 1H Button. The appliance will enter Towel Warming Mode and will automatically stop after 1 hour. The **LED** screen always displays the room temperature. fig.5

## MAINTENANCE

This electric heated towel rail requires minimal maintenance. Regularly check that all fixings and fittings remain secure and that the power cable shows no signs of damage. Clean the surface with a soft, damp cloth and mild detergent only; do

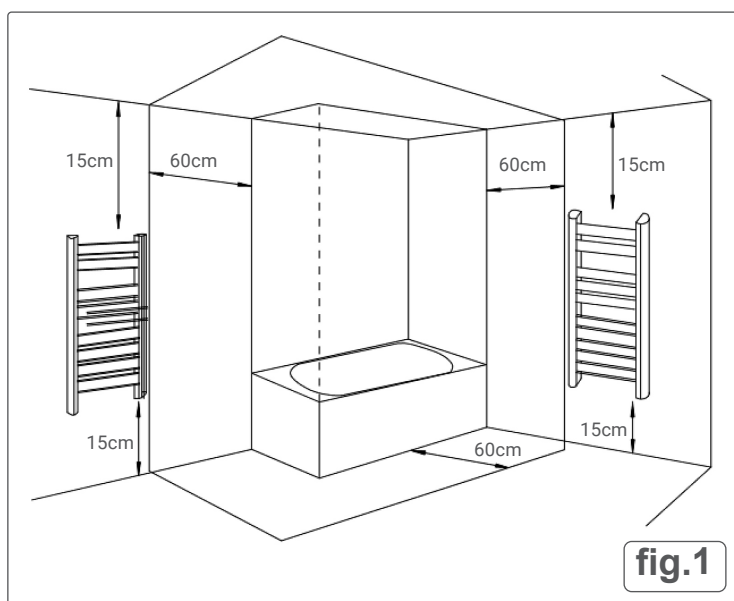
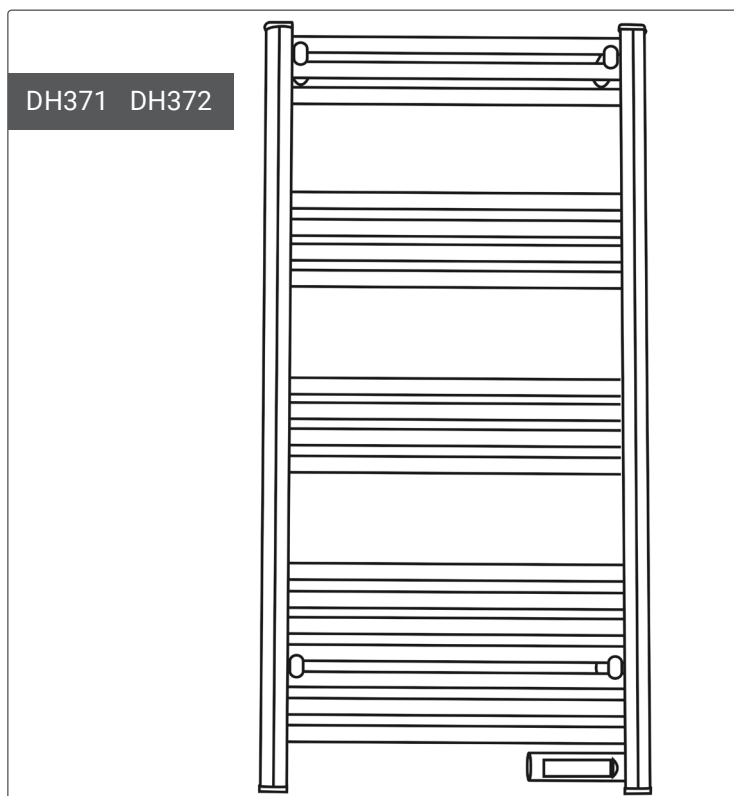


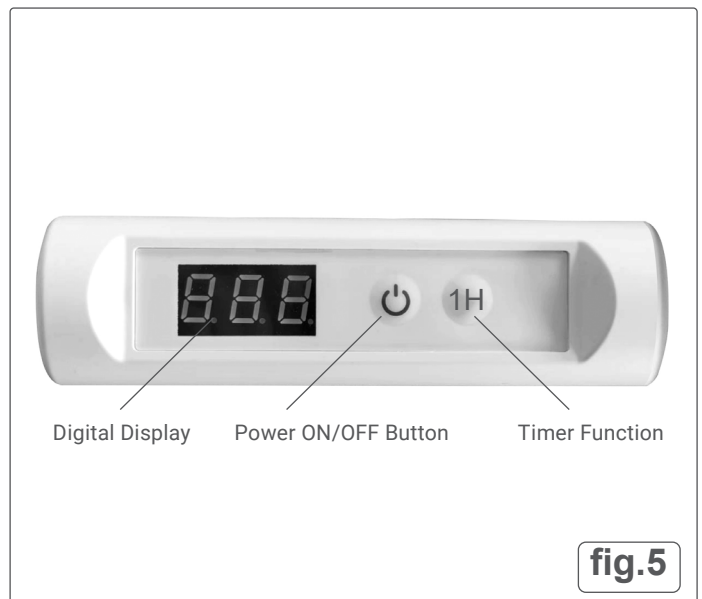
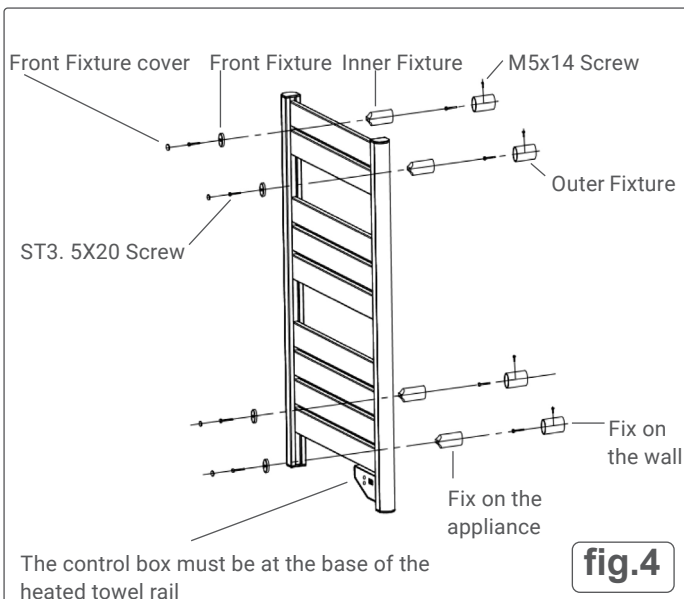
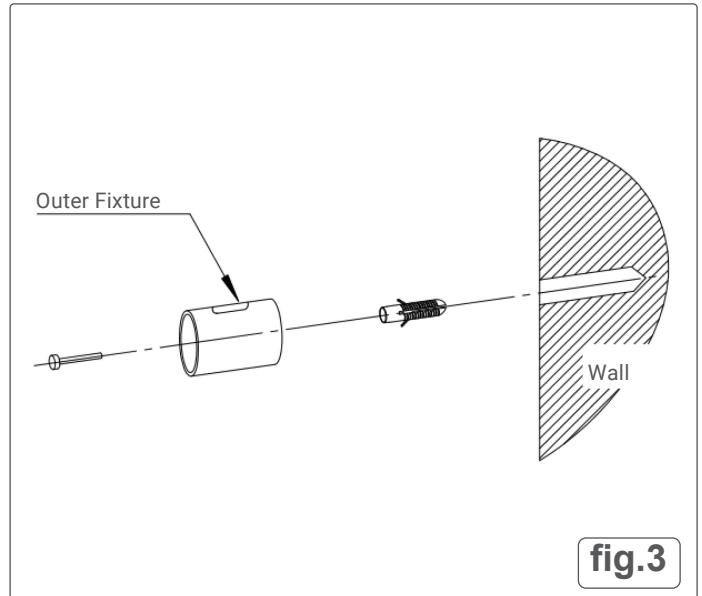
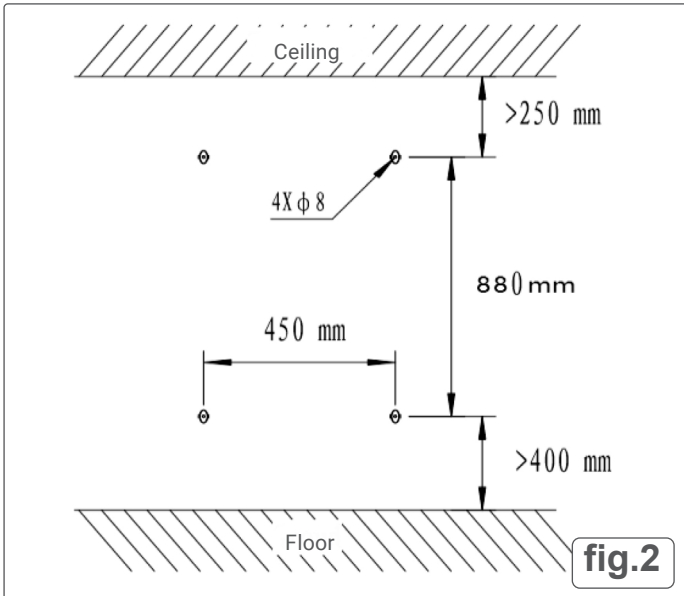
fig.1

not use abrasive cleaners or solvents.

No routine servicing is required. In the event of a fault or if the appliance requires repair, it must be disconnected from the power supply and inspected or repaired by an authorised service technician only.

#### DISMANTLING AND DISPOSAL

When the product is permanently taken out of service, it must be disconnected from the electrical supply and allowed to cool completely. Dismantling should only be carried out by qualified personnel in accordance with local regulations. The appliance and its components must be disposed of separately from household waste and in accordance with applicable environmental and recycling regulations. Do not dispose of the product with unsorted municipal waste.



#### Environment Protection and Waste Protection and Electrical Equipment Regulations (WEEE)

Recycle unwanted packaging materials. When this product is no longer required, or has reached the end of its useful life, please dispose of it in an environmentally friendly way. Drain any fluids (if applicable) into approved containers, in accordance with local waste regulations. Under the Waste Batteries and Accumulators Regulations 2009, Dellonda would like to inform the user that this product contains one or more batteries. It is our policy to continually improve products and we reserve the right to alter data, specifications and parts without prior notice. No liability is accepted for incorrect use of this product. Guarantee is 12 months from purchase date, proof of which is required for any claim.